



Art's Blog

My Razor Died! "Oh-No! My Schick adjustable injector safety razor has died. The plastic dial that adjusts the blade exposure stripped its gears."

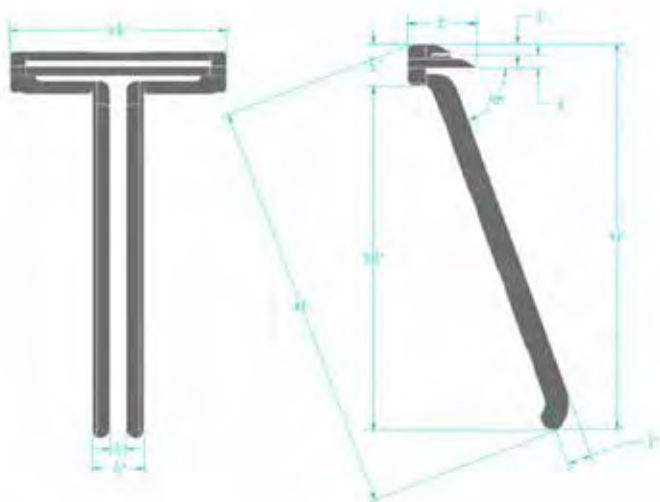
This razor has served me well over the last 40+ years. It has traveled all over the world and only once was I stopped at airport security. I didn't want to throw my trusty razor in the garbage can just because the young security guard had no idea what it was. It only had 1 blade like a box cutter and not 3 to 5 blades like new disposable razors. I asked, "can I give you the blade and keep the razor?" The confused guard agreed. I handed him the stainless steel, polymer coated, special operations cutting weapon and passed through the checkpoint.

Now the big decision. Do I purchase a new single blade razor or an electric razor? First stop is Amazon. There I find an "Amazon Choice" 5-blade Gillette Fusion or a "Best Seller" 3-blade Gillette Sensor. I was left wondering what happened to the old standby single edge razor? I moved on to searching electric razors. This search turns up the Braun series 5, 7, and 9. Sort of like buying a BMW 3, 5, or 7 series car.

I decided to stay with what I'm used to, a single edge safety razor, and start a Google search. This turns up brands I know (e.g., Gillette, Wilkinson Sword, Merkur) and a plethora of brands I never heard of (e.g., Qshave, RazoRock, Jungle Culture). I eventually found 3 of interest, all new kick starter brands.

1. The Single Edge 2.0	https://supply.co/products/the-single-edge-razor
2. One Blade:	https://www.onebladeshave.com
3. Occam's Razor:	https://www.kickstarter.com/projects/628200436/occams-razor-simplify-your-shaving-by-the-blades-g

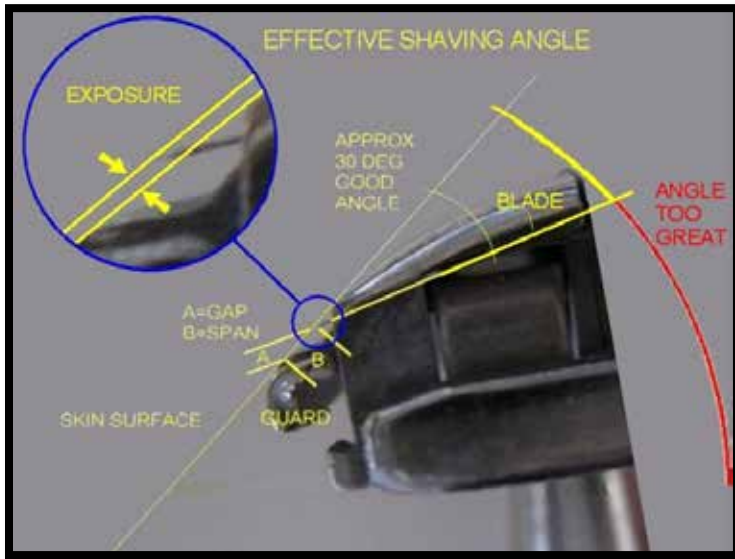
"I down selected to Occam's Razor because of the hidden meaning in their company name (the simplest explanation is usually the best one) and they present a dimensional drawing of their razor which appeals to my engineering inner self."



Two things are apparent in the left view. I like the 2 large horizontal gaps which will allow shaving cream and hair to easily pass through and keep the cutting edge clean. However, I'm not sure I like the large width (39 mm) of the shaving head. This will take some time getting used to since it is 11mm longer than my old Schick safety razor. The reason for the large head is to insert Feather Artist Club Razor Blades which are the best on the planet. More about blades later.



Now my engineering curiosity kicked in. What are the critical parameters in razor design? These include blade gap, blade span, blade exposure, blade angle, guard span, cap span, and shaving angle. The correct combination will maximize hair removal and minimize skin irritation.

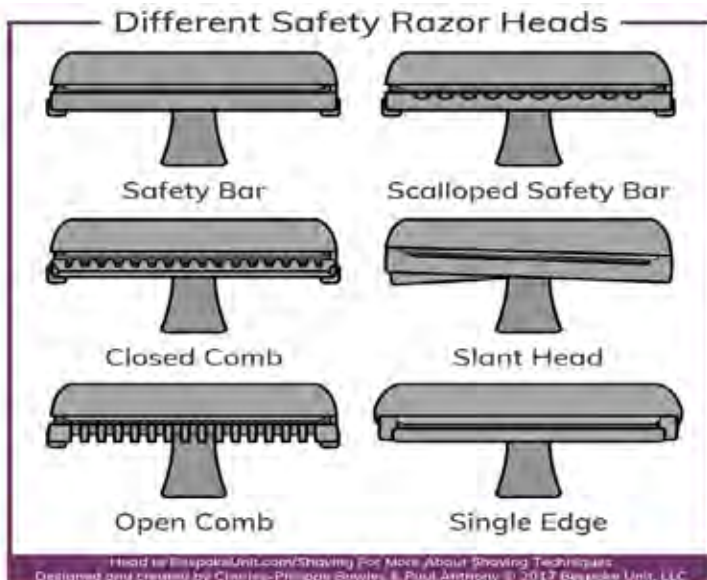


Aggressiveness of a safety razor can be thought of as the degree to which a blade is exposed to the face and beard. Aggressive razors have a large blade gap. A large blade gap leads to quick hair removal, but since more of the blade is exposed to the skin, there is greater risk of nicks and cuts.

"I can sense the blade cutting my beard when I dial in a large blade gap on my Schick. I also end up with a razor burn on my neck."

The web site (<https://www.executive-shaving.co.uk/double-edge-razor-blade-gap-explained>) presents a table of popular razors and their blade gap. Some of the entries are duplicated in the following table.

Model	Blade gap
Gillette Slim – Setting 1	0.38mm
Gillette Slim – Setting 3	0.43mm
Merkur 34C	0.50mm
Feather AS-D2	0.74mm



This gets further complicated if you consider safety bar design. The safety bar sits just below the razor blade. This ensures that the blade is properly guarded to avoid accidental cuts and nicks. However, the way these are designed will change the type of shave you experience. Flat edges tend to be gentler when the blade meets the skin while combed guards will be more aggressive.



And last but not least is the choice of razor blade. This turned out to be as difficult as choosing a razor. While all blades follow a standard design to fit into safety razors, what differentiates the blades is their sharpness. Some blades are sharper than others. Sharper blades will slice through stubble more easily, but when paired with an aggressive razor, can cause irritation for those with sensitive skin. This web site ranks several blades according to sharpness and recommends use from advanced shavers to beginners.

<https://www.beardandblade.com.au/blogs/academy/choosing-a-double-edge-blade-for-your-safety-razor>

Amazon offers a sample pack consisting of 2 individual blades from 15 different brands to help with your decision.

Now back to my choice of Occam's Razor. This razor is designed for Feather Artist Club Blades (https://www.feather.co.jp/en/bh_Products/professional.html) . These blades are inserted into straight razors used by barbers and hair salon stylists. I decided to start with the Soft Guard blade as I develop technique in using my new razor.

Soft Guard "PSF-15"
 Wavy guards deliver mild feeling.
 Recommended for women and people with sensitive skin.
 Thickness: 0.35mm (Blade thickness: 0.15mm/Guard thickness: 0.1mm x2)

50mm
 8mm (Distance to blade edge)

Wavy Guard
 Blade
 Guard

Easing pressure on skin
 Reducing cutting resistance
 Skin

Blade exposure (Distance to blade edge)

DX	1.2mm
SS	1.0mm

The optimum razor comes down to individual preference because we each have a different beard (soft hair to coarse hair), skin sensitivity, and shaving technique.

"I hope your current razor lasts for many years because choosing a new razor and blade combination is a bit overwhelming."